

## MH32R, MH42R: Screwed mixing valves, PN 6

Units used for continuous control of warm-water heating plants.

Spindle sealed by means of double O-ring packing. Manual adjustment by means of a knob. Permissible installation position: drive upright-vertical to horizontal.

Type	Nominal width DN	$k_{vs}$ -value m <sup>3</sup> /h	Max. leakage rate % of $k_{vs}$	Weight kg
<b>Three-way valve;</b> Body, valve shoe and shaft of brass				
MH32R 15 F200	15	2,5	1,0	0,7
MH32R 20 F210	20	4	1,0	0,7
<b>Three-way valve;</b> Body of grey cast iron, cover of zinc, shaft and valve shoe of brass <sup>1)</sup>				
MH32R 20 F200	20	8	1,0	1,3
MH32R 25 F200	25	12	1,0	1,4
MH32R 32 F200	32	18	1,0	2,2
MH32R 40 F200	40	28	1,0	2,8
MH32R 50 F200	50	44	1,0	4,1
<b>Four-way valve;</b> Body, valve shoe and shaft of brass				
MH42R 15 F200	15	2,5	1,0	0,9
MH42R 20 F210	20	4	1,0	0,9
<b>Four-way valve;</b> Body of grey cast iron, cover of zinc, shaft and valve shoe of brass				
MH42R 20 F200	20	8	1,5	1,6
MH42R 25 F200	25	12	1,5	1,9
MH42R 32 F200	32	18	1,5	2,4
MH42R 40 F200	40	28	1,5	3,3

Nominal pressure	PN 6	Perm. operating temperature	2...110 °C
Max. perm. operating pressure	6 bar	Dimension drawings	5M107, 108
Control characteristic	linear	Combinations with AR30	MV 505472
Angle of rotation	90°	ASM124	MV 505477
		ASM105/115	MV 505840

### Accessories

0361775 000	Assembly kit for drive AR30
0361977 001	Assembly kit for drive ASM 124
0361977 002	Assembly kit for drive ASM 105, 115

### Combination with motor drive AR30 and actuating drive ASM:

Drive	Input Run time	AR30	AR30	ASM	ASM	ASM	ASM	ASM	ASM1	
		W23 3-pt. 120s	W23S 0...10 V 120s	105 2/3-pt. 30s	105 2/3-pt. 120s	105S 0...10 V 60/120s	115 2/3-pt. 120s	115S 0...10 V 60/120s	124 <sup>2)</sup> 2/3-pt. 120s	24S <sup>2)</sup> 0...10 V 60/120s
<b>Three-way valve:</b> $\Delta p_{max}$										
MH32R 15 F200	2,0									
MH32R 20 F210	2,0									
MH32R 20 F200	1,0									
MH32R 25 F200	1,0									
MH32R 32 F200	1,0									
MH32R 40 F200	1,0									
MH32R 50 F200	0,5									
<b>Four-way valve:</b>										
MH42R 15 F200	2,0									
MH42R 20 F210	2,0									
MH42R 20 F200	1,0									
MH42R 25 F200	1,0									
MH42R 32 F200	1,0									
MH42R 40 F200	1,0									

1) MH32R 50: spindle made of stainless steel

2) It is not possible to fit auxiliary contacts or a potentiometer with this combination

Complete type designation:	Valve and drive with corresponding F-version
Valve:	F-version, technical data and accessories, see table of types above
Drive:	F-version, technical data and accessories, see section 51
Example:	MH32R 40 F200/AR30 W23S F020/0361775 000



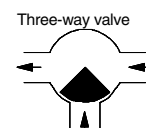
T04239



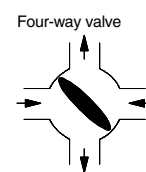
Y07546



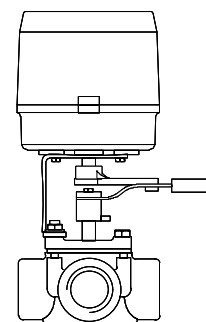
Y07547



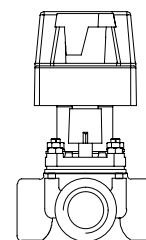
B01373



B01374



B01406a



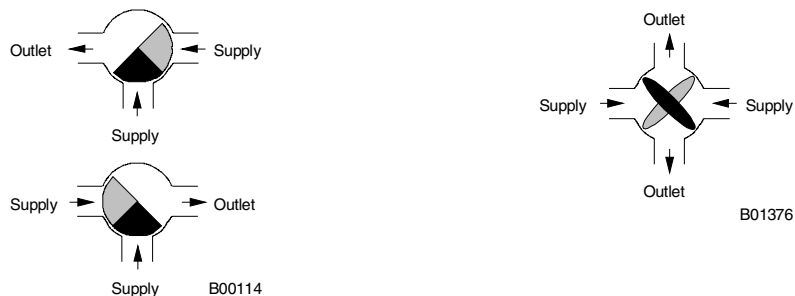
B07108

**Operation**

Turning the spindle will continuously open the warm-water port and equally close the cold-water port (heater return flow). This increases the temperature of the mixed water (in the heater flow) at an approximately constant flow rate.

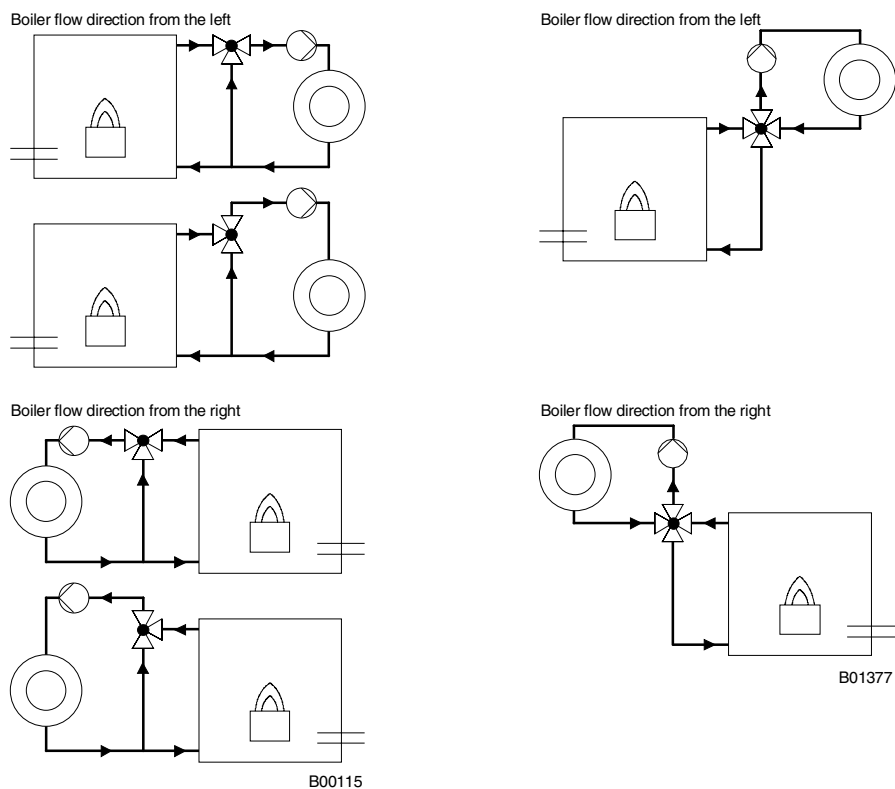
When the warm-water port is closed, a bypass to the boiler return is opened simultaneously in four-way versions in order to enable thermal circulation.

For automatic operation, a reversible drive with a rotating angle of 90° can be used. After the coupling has been released, the shoe can be adjusted manually.



**Additional technical data**

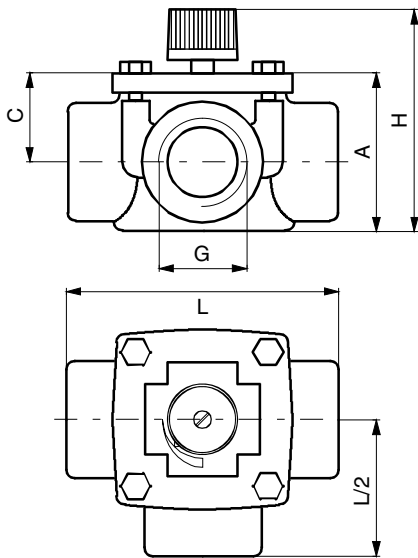
Body made of grey cast iron, (GG20) dark grey (RAL 7021) for DN 20...50 F200; body made of brass MS60Pbh, unpainted for DN 15 F200 and DN 20 F210. Threaded bore holes for console and motor drive mounting. Steel lever with plastic handle for manual adjustment. Scale marked on both sides for the following installation options: boiler flow direction from the left, boiler flow direction from the right.



**Dimension drawings 5M107**

MH32 R

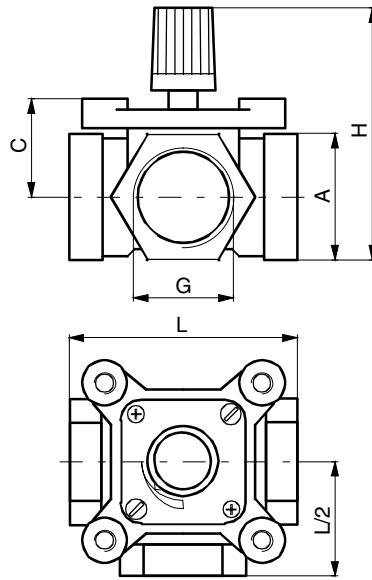
DN20..50



DN	G	L	A	H	C
20	Rp 3/4	105	66	106	37
25	Rp 1	108	66	106	37
32	Rp 1 1/4	115	70	110	37
40	Rp 1 1/2	120	74	114	39
50	Rp 2	156	93	133	40

M360971c

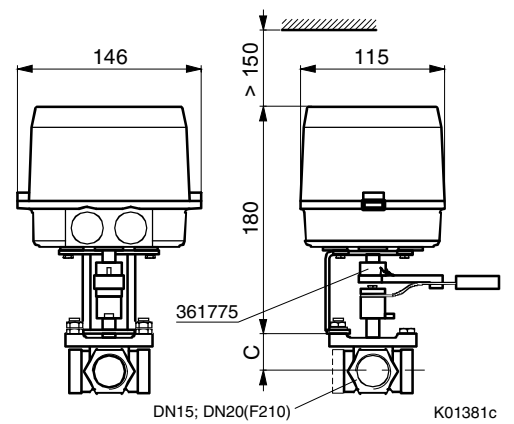
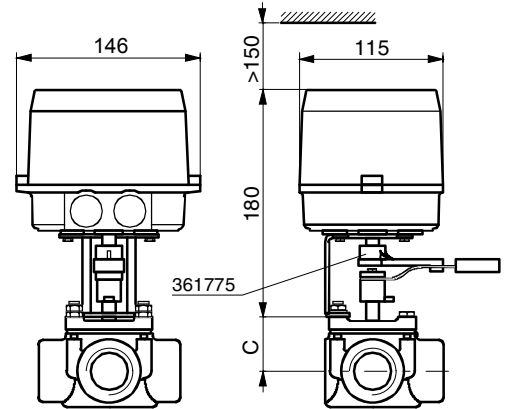
DN15, DN20 (F210)



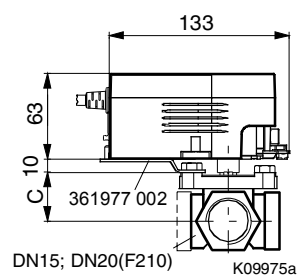
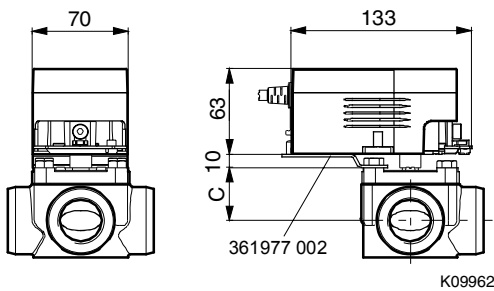
DN	G	L	A	H	C
15	Rp 1/2	72	50,5	81	33
20	Rp 3/4	72	50,5	81	33

M360970a

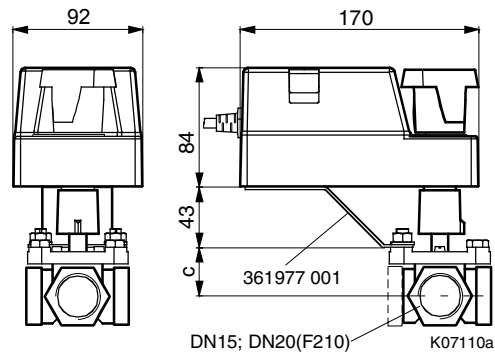
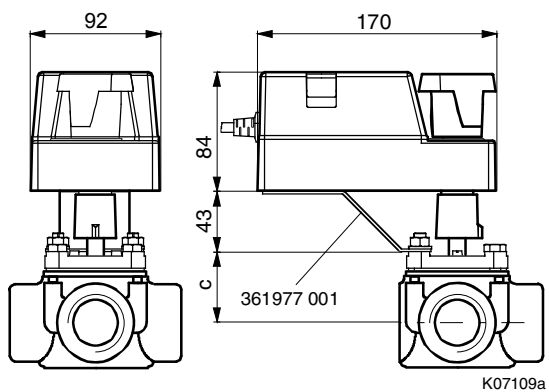
Three-way valve MH32R with drive AR30



Three-way valve MH32R with drive ASM 105, 115



Three-way valve MH32R with drive ASM 124

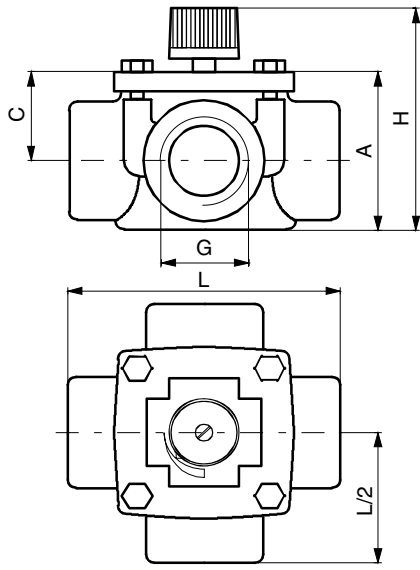


54.025/4 MH32R, MH42R

Dimension drawings 5M108

MH42 R

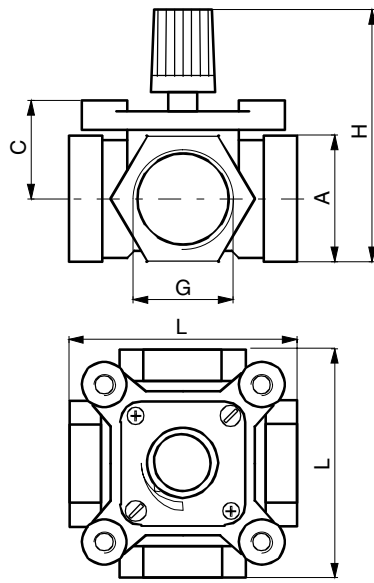
DN 20..40



DN	G	L	A	H	C
20	Rp 3/4	105	66	106	37
25	Rp 1	108	66	106	37
32	Rp 1 1/4	115	70	110	37
40	Rp 1 1/2	120	74	114	39

M360866b

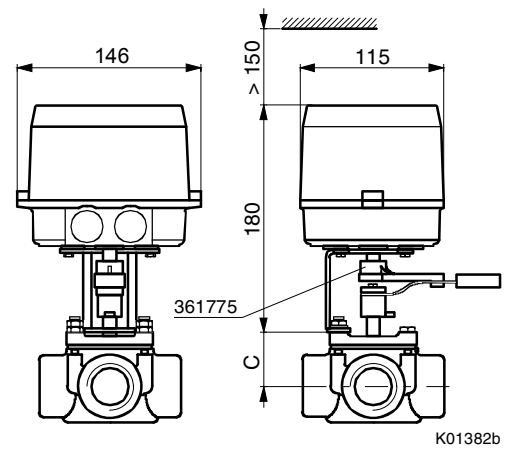
DN15, DN20 (F210)



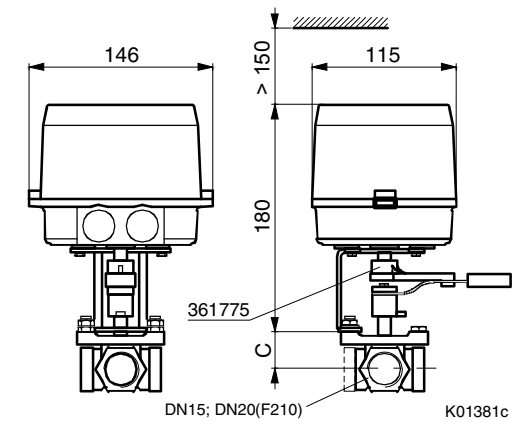
DN	G	L	A	H	C
15	Rp 1/2	72	50,5	81	33
20	Rp 3/4	72	50,5	81	33

M360973a

Four-way valve MH42R with drive AR30



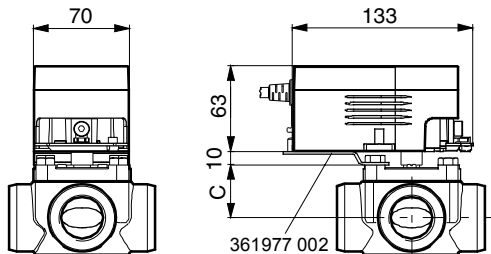
K01382b



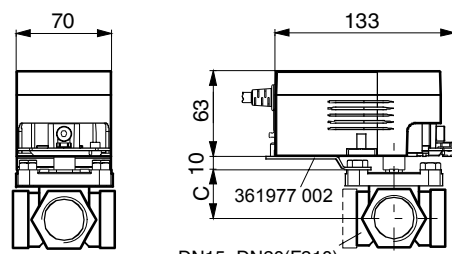
DN15; DN20(F210)

K01381c

Four-way valve MH42R with drive ASM 124



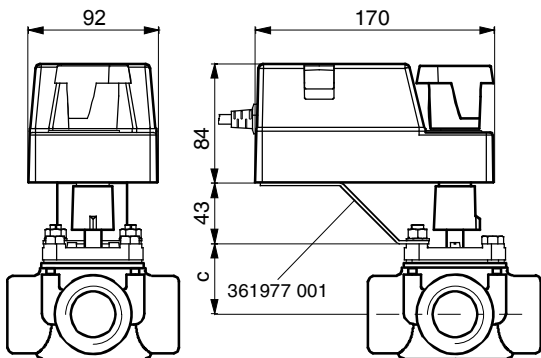
K09969



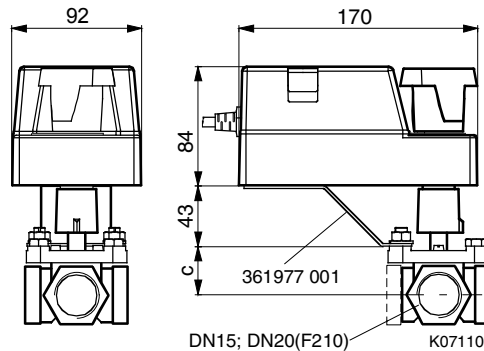
DN15; DN20(F210)

K09975a

Four-way valve MH42R with drive ASM 105, 115



K07118a



DN15; DN20(F210)

K07110a

Printed in Switzerland

Right of amendment reserved

N.B.: A comma between cardinal

numbers denotes a decimal point

© Fr. Sauter AG, CH-4016 Basle

7154025003 03

Sauter Components